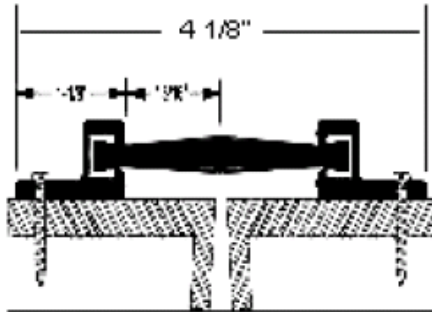




Box 459 - Rosemount, MN 55068
Phone 800-328-0953
Fax 800-334-8823



Astragal Part # 967

This weather strip is designed to fill the space between double doors. The space separating the aluminum retainers holding the brush should be 4 1/8" as illustrated above. The ends of the brush should just touch for a proper seal. Do not overlap the brush.

1. Measure the height of the door.
2. Now cut the two pieces of astragal to equal the height of the doors by first sliding the brush out of its aluminum retainer. Cut the brush strip to length with a WIRE CUTTER or PLIERS.
CAUTION: CUT WITH A WIRE CUTTER OR PLIERS. THIS IS NECESSARY TO CRIMP THE BRUSH FILAMENTS IN THE GALVANIZED RETAINER. IF THIS IS NOT DONE, THE BRUSH FILAMENTS WILL NOT BE LOCKED IN AND MAY COME OUT OF THE GALVANIZED RETAINER.
Then cut the aluminum retainer to the same length. Slide the brush back into the aluminum retainer.

3. Fasten one astragal to each face of the individual doors with the screws furnished so as not to interfere with self-closing devices, locks or other door hardware.

4. Operate the door several times to ensure the gasketing material is adjusted properly so as not to inhibit the door from self-closing & latching.



Positive Pressure Tested Gasketing Materials for Fire Doors. Intended for Application to/ with listed steel frames and/or classified steel covered composite, hollow metal type fire doors rated up to 3 hours, wood and plastic covered composite type fire doors rated up to 1-1/2 hours, and wood core type fire doors rated up to 20 minutes.

Meets CAN4-S104-2010
Meets UL10B, UL10C and
Category J. 17L5
Can use on "S" labeled doors.

